

Trimless LED Downlight

Description:

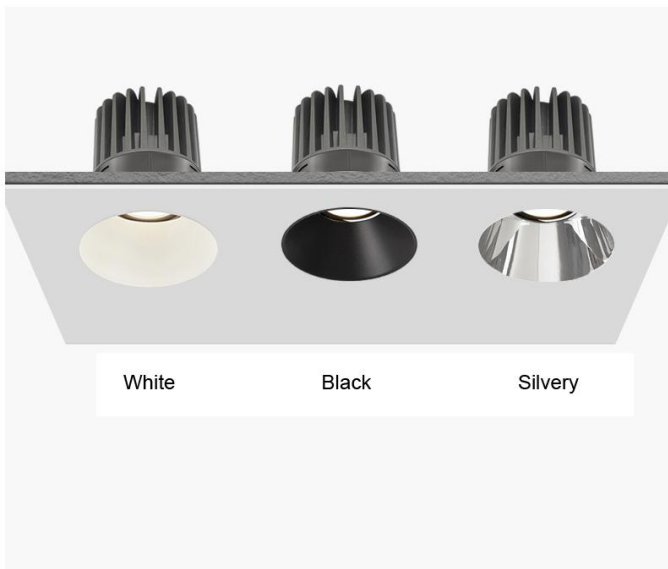
DLH Trimless LED downlight is designed for lasting durability and beauty while providing quality and energy efficient lighting for low to medium ceilings. The COB trimless recessed downlight is an ideal solution for clear and bright lighting in retail, hotels, commercial, and high-end residential settings. Also, it's suitable for installation at the initial design stage or as part of a wider refurbishment due to the way in which it is fitted. In addition, the Square and Round Trimless downlight can tilt up to 30 degrees and rotate a full 360 degrees to meet you with different lighting direction.



It is ideal for your planned retrofit or new constructing, creating tremendous energy saving at an extremely affordable price.

Application:

- Villa, Lobbies, Corridors
- Hotel Lighting Restaurant
- Residential Lighting



LED	5 YEARS WARRANTY	CE	SAA APPROVALS	MacAdam > 3	IP 20	Hg 0.0mg
L 80 B 10	50000h			> 100000	80% ≤ 1S	220-240V 50/60Hz



Information:

Features:

- Deeply LED Inside with Anti-glare rings UGR<16
- COB or SMD Model Optional with different beam angle
- The baffles system helps reduce glare, make the downlight suitable for installation in workplaces UGR<16
- Quick tool-free mounting system for false ceiling
- COB Type Adjustable 30 degree , SMD model Fix non adjustable
- Modular Design , easy to to save stock cost
- SDCM=3
- Extremely long lifetime
- Energy savings
- Maintenance savings
- instant light-up
- Excellent light quality
- No UV or IR radiation
- Environmentally-friendly: no mercury
- Medium useful life > 50,000 hours (L80B50) at ambient temperature of 25 ° C

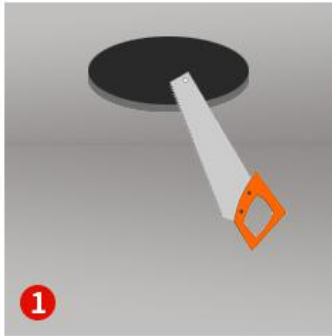
Specification:

- Power supply :OSRAM LIFUD
- Lighting Source: OSRAM
- Housing material: aluminum.
- Housing color: White Black
- Working environment temperature: -20oc ~ +45oc.
- Lamp Certificates: CE ROHS

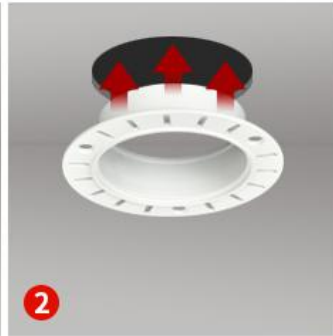
Model No.	Input voltage(V)	Power (w)	LED Chip	Luminous flux (lm) (±5%)	Beam angle(o)	CCT (K)	CRI	Size (mm)	Cutout(m m)
OP-DLH07WT H1	AC220-240V	7W	OSRAM Bridgelux	100LM/W	15/24/36 /60(SMD)	2700K 3000K 4000K 5000K	90+	φ81*H69.5m m	Ø55mm
OP-DLH10WT H1	AC220-240V	10W	OSRAM Bridgelux	100LM/W	15/24/36 /60(SMD)	2700K 3000K 4000K 5000K	90+	114*71H102 mm	Ø75mm
OP-DLH15WT H1	AC220-240V	15W	OSRAM Bridgelux	100LM/W	15/24/36 /60(SMD)	2700K 3000K 4000K 5000K	90+	φ101*H102 mm	Ø75mm
OP-DLH20WT H1	AC220-240V	20W	OSRAM Bridgelux	100LM/W	15/24/36 /60(SMD)	2700K 3000K 4000K 5000K	90+	φ130*H86.5 mm	Ø95mm

Install Guide:

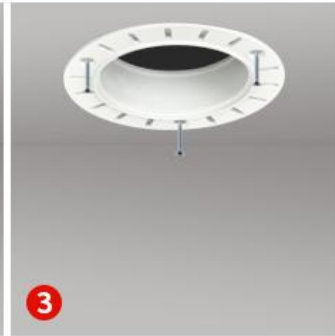
Installation



Depending on the size of the lamps purchased Determine opening size and location



Insert the embedded parts after opening the holes



After the embedded parts are put in Fasten with screws



Batch putty putty dry after cleaning putty



Connect the light source driver



After connecting the power, put the light source into the hole to turn on the light test

Pictures :

